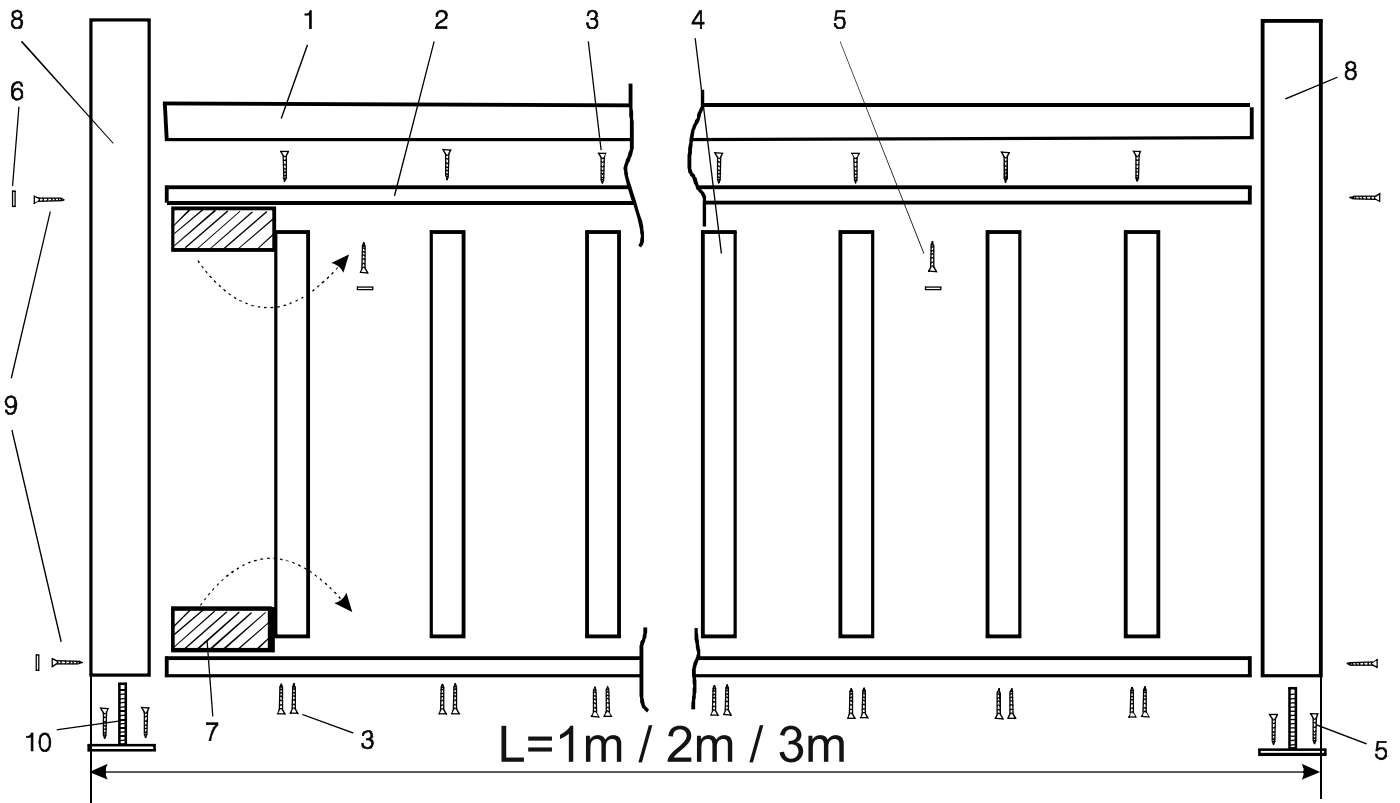
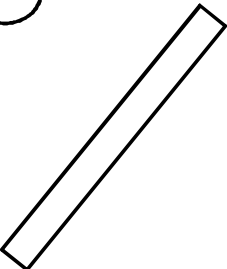
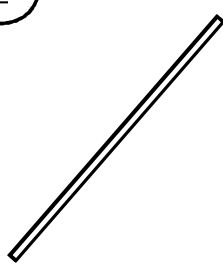


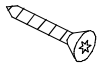

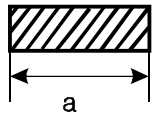
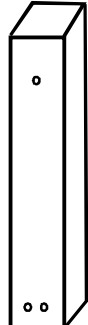
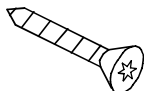
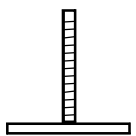


Brüstungsgeländer Säulengeländer 1m / 2m / 3m + Befestigung



<p>1</p>  <p>=1</p>	<p>2</p>  <p>=1</p>	<p>3</p>  <p>TORX Ø4x40mm L 1m =15 L 2m=30 L 3,2m =51</p>	<p>4</p>  <p>L 1m =5 L 2m=10 L 3,2m =17</p>	<p>5</p>  <p>TORX Ø4x45mm L 1m =10 L 2m=12 L 3,2m =12</p>
<p>6</p>  <p>L 1m =8 L 2m=10 L 3,2m =10</p>	<p>7</p>  <p>L 1m; a=89 mm L 2m=109 mm L 3,2m; a=109 mm =2</p>	<p>8</p>  <p>=2</p>	<p>9</p>  <p>TORX Ø6x90mm =6</p>	<p>10</p>  <p>=2</p>