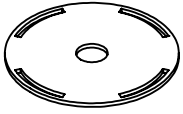
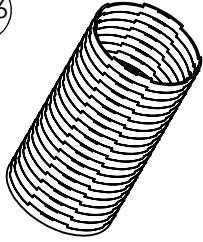
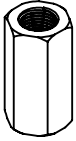
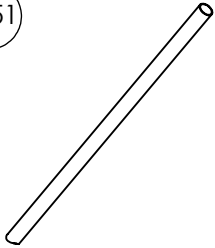
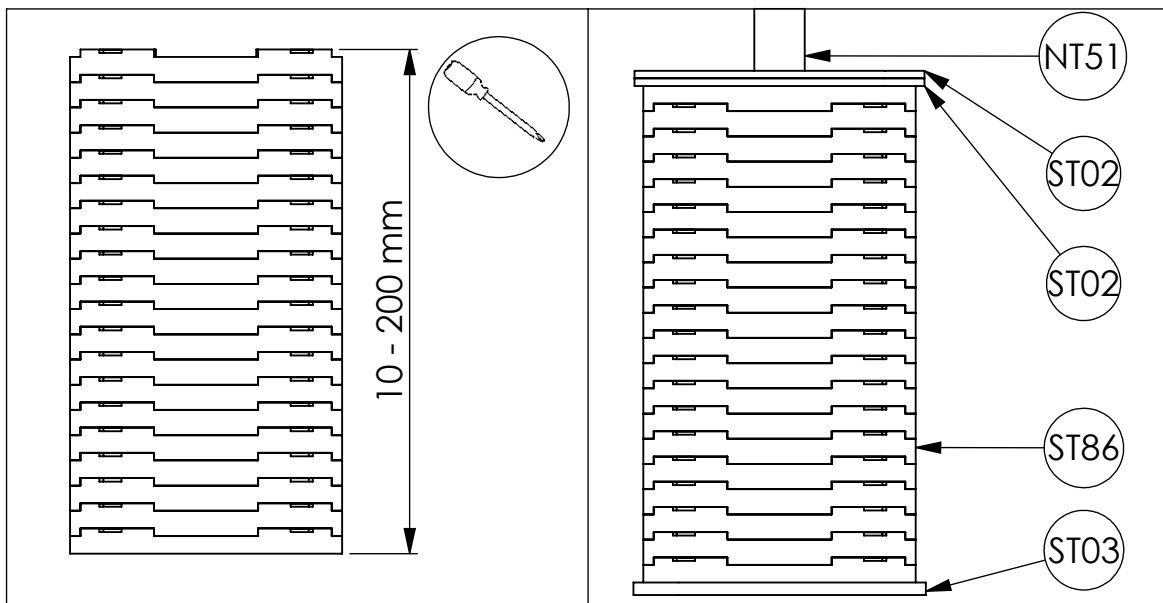
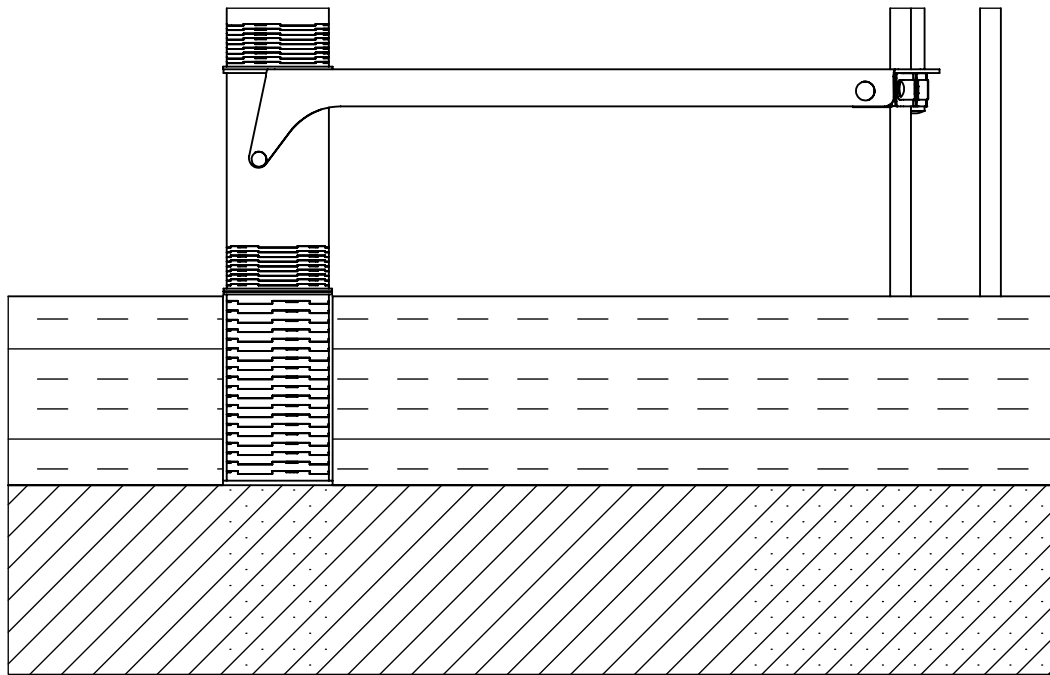


<p>ST02</p>  <p>Ø 115 x 3 mm</p> <p>2x</p>	<p>ST86</p>  <p>Ø 108 x 200 mm</p> <p>1x</p>	<p>NT04</p>  <p>M20 DIN 6334</p> <p>1x</p>	<p>NT51</p>  <p>M20 x 500 mm</p> <p>1x</p>
---	---	---	---



1

