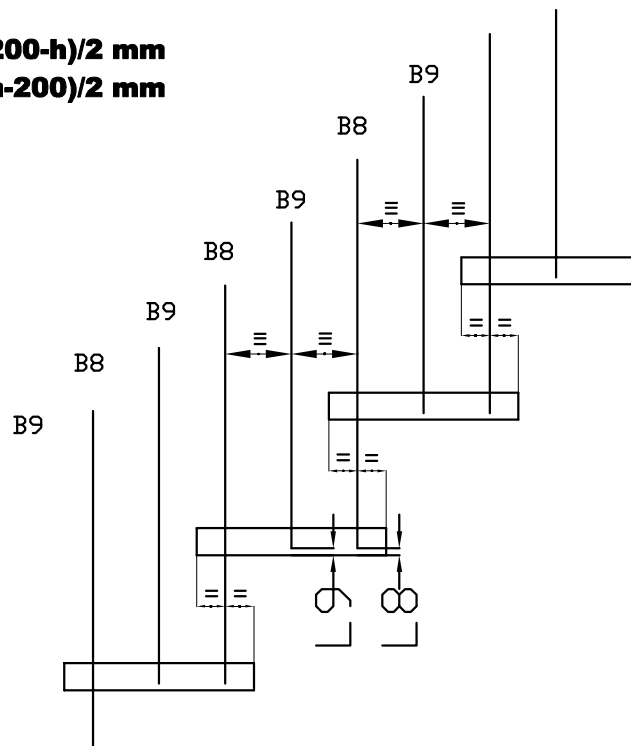
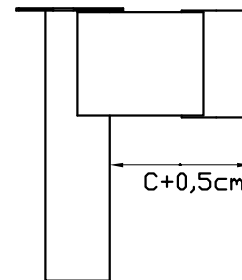
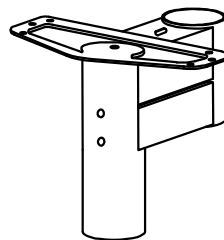
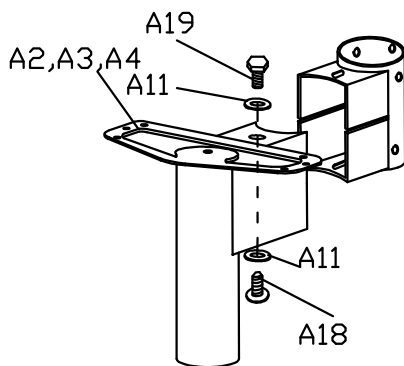


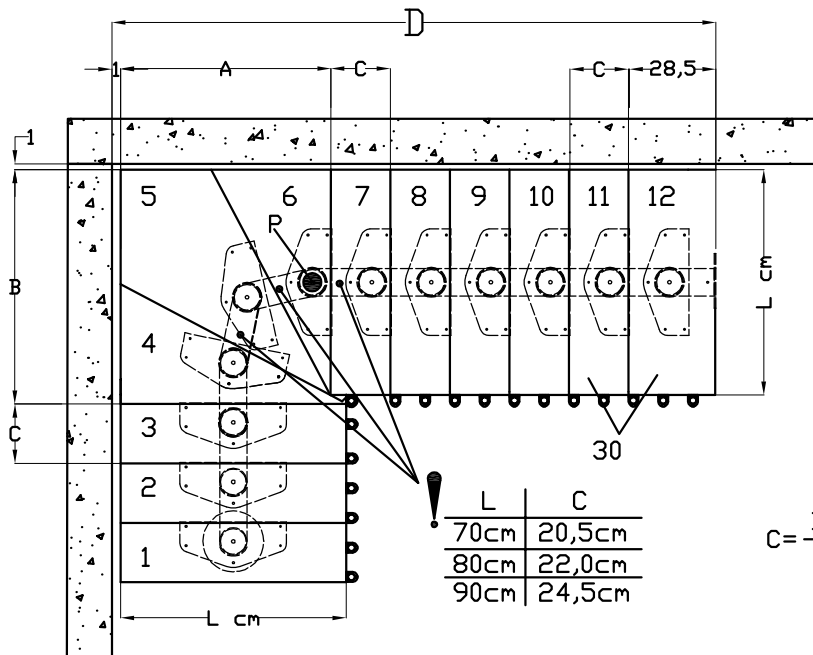
$P = n \times h - 4,6$ (cm)
 $n \text{ max} = 6$

$h = 170-200$ mm $\rightarrow L8=0$ si $l19 = (200-h)/2$ mm
 $h = 200-230$ mm $\rightarrow L9=0$ si $l18 = (h-200)/2$ mm



Treppen Intercon®





C_{min}=20,5cm
C_{max}=24,5cm

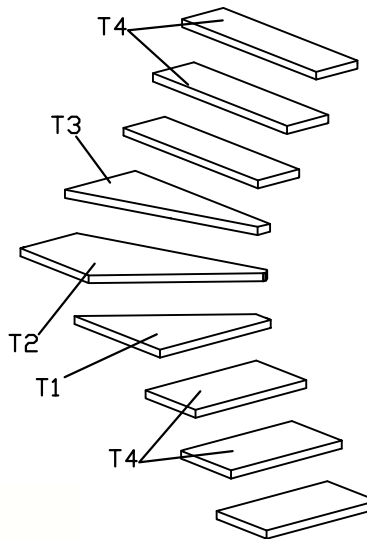
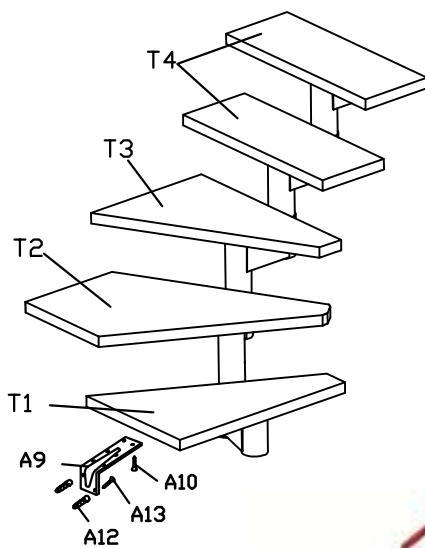
L	A	B
70cm	69,5cm	73,5cm
80cm	79,5cm	83,5cm
90cm	89,5cm	93,5cm

L	C
70cm	20,5cm
80cm	22,0cm
90cm	24,5cm

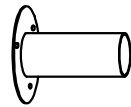
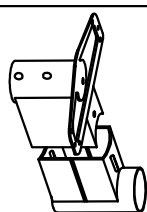
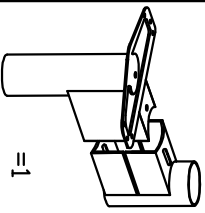
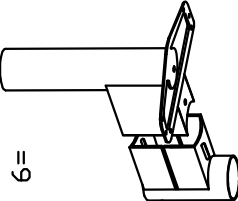
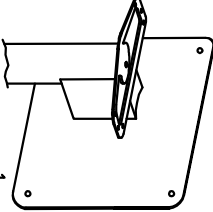
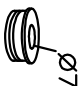

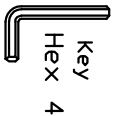

$$C = \frac{D - 28,5 - A - 1}{6} \text{ cm}$$

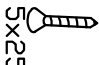


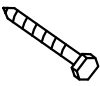


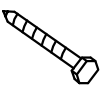
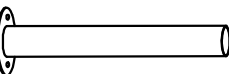
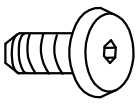
EX: D=230cm
L=70cm

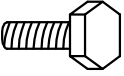
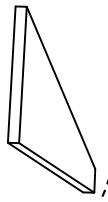
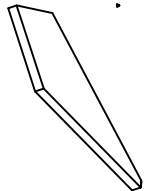
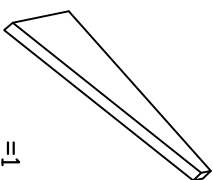

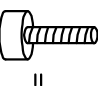
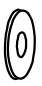
$$C = \frac{230 - 28,5 - 69,5 - 1}{6} = 21,8 \text{ cm}$$



Treppen Intercon®

A1  =1	A2  =1	A3  =1	A4  =9	A5  =1	A6  Ø72 =1	A7  =10	A8  M8x8 Key Hex 4 =60 =1	A9  =4
--	--	--	--	---	---	---	--	--

A10  5x25 =16	A11  A12 =24	A12  Ø 12 =15	A13  8x80mm =15	A14  Ø 10 =2	A15  =5	A16  6x70mm =2	A17  =1	A18  M12x20 Key Hex 8 =12 =1
--	---	--	--	---	---	---	---	--

A19  M12x20 =12	T1  =1	T2  C12 =1	T3  =1	T4  =9	T5  M6x20mm Key Hex 5 =72 =1	T6  =72
--	---	---	--	--	---	---

